



SOCIALIZING

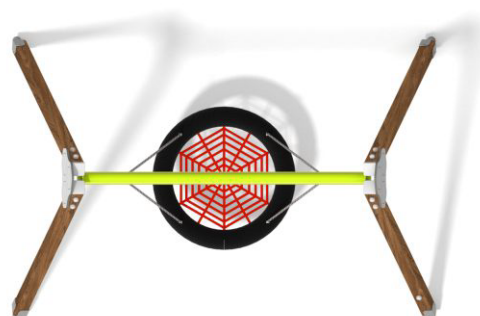


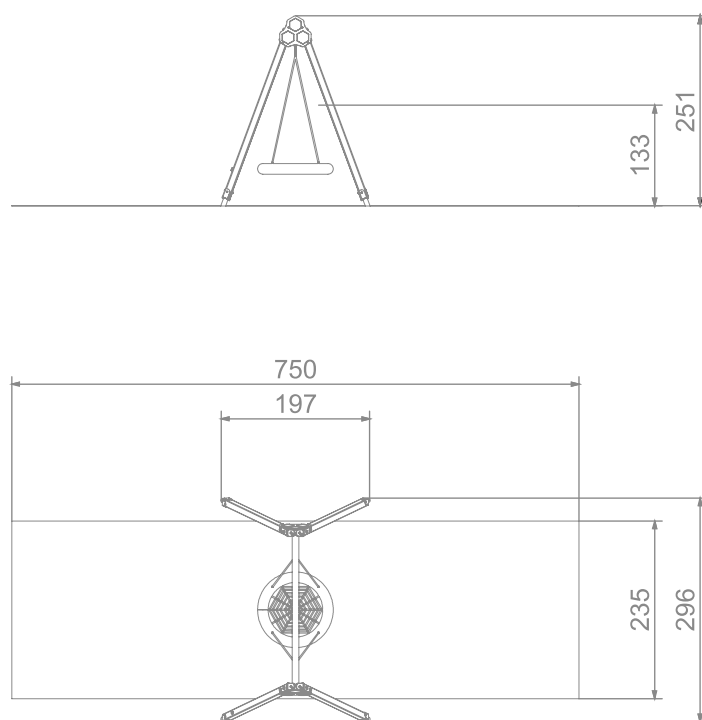
SWINGING



#### INFORMATION ABOUT THE PRODUCT

Dimensions	197 x 296 cm
Safety zone	750 x 235 cm
Safety zone area	18 m <sup>2</sup>
Overall height	251 cm
Free fall height	133 cm
Amount of users	4
Product complies with EN 1176-1:2017-12	YES
Availability of spare parts	YES
Age range	3-12
<small>According to EN 1176-1:2017-12 norm, the product requires applying a safety surface according to the product's free fall height.</small>	





SCALE 1:100

MATERIALS:

SOFT CONIFER WOOD  
90 X 90 MM, CORELESS,  
GLUED IN LAYERS WITH  
POLYURETHANE GLUES,  
TOTALLY RESISTANT TO  
WATER

STEEL CONSTRUCTION:  
Ø114 PIPES, POWDER  
GALVANIZED AND COVERED  
IN POWDER COATING PAINT

"BIRD NEST" TYPE SEAT  
WITH A DIAMETER OF  
100 CM, HANGED ON  
6 MM STAINLESS STEEL  
CHAINS

WOODEN POSTS  
ANCHORED TO THE  
GROUND WITH POWDER  
GALVANIZED AND  
POWDER COATED STEEL  
ANCHORS.

